



# PanBlast™ BP Series Blast Pots - Model BP600-1

*"Surface Preparation  
Is Our Business"*

Pan Abrasives has over 50 years of experience in the abrasive blasting industry, and this experience has been used to develop the PanBlast™ BP Series Blast Pots, which are ideally suited to both open blasting and blast room applications.

### *PanBlast™ BP600 Series Blast Pots Standard Features:*

- \* Designed and manufactured in accordance with ASME and AS/NZS Standards for international recognition.
- \* All automatic BP600 Series Blast Pots are fitted with UniFlo type combined inlet and exhaust valve, which provides simple and efficient operation.
- \* BP300 and BP600 automatic models are fitted with a Fina type abrasive control valve, which provides precise abrasive metering and long service life.
- \* All PanBlast™ automatic blast pots are fitted with moisture traps, exhaust mufflers and main air isolation valves as standard equipment.
- \* Wide terrain pneumatic wheels are standard on the BP300 and BP600 pots for increased maneuverability and stability.



### *PanBlast™ BP Series Blast Pot Common Applications:*

- \* On site blasting at industrial and commercial sites.
- \* Blast and painting contractor yard work.
- \* Blast room applications with and without abrasive recovery systems.
- \* In situ blasting in shipyards and slipways.
- \* Virtually any application involving pressure abrasive blasting.

### *Commonly Used Abrasives:*

- |                                |                             |
|--------------------------------|-----------------------------|
| * FastBlast™ Chilled Iron Grit | * QuickCut™ Aluminium Oxide |
| * PanaGrit™ Cast Steel Grit    | * BrightBlast™ Glass Beads  |
| * EnviroGrit™ Garnet           | * PanaShot™ Steel Shot      |
| * EnviroGlass™ Crushed Glass   |                             |



*Blast Pots & Cabinets - Control Valves - Abrasive Control Valves - Blast Nozzles - Nozzle Holders & Couplings - Helmets & Breathing Air Filters*

## PanBlast™ BP600-1 Blast Pot Assembly -

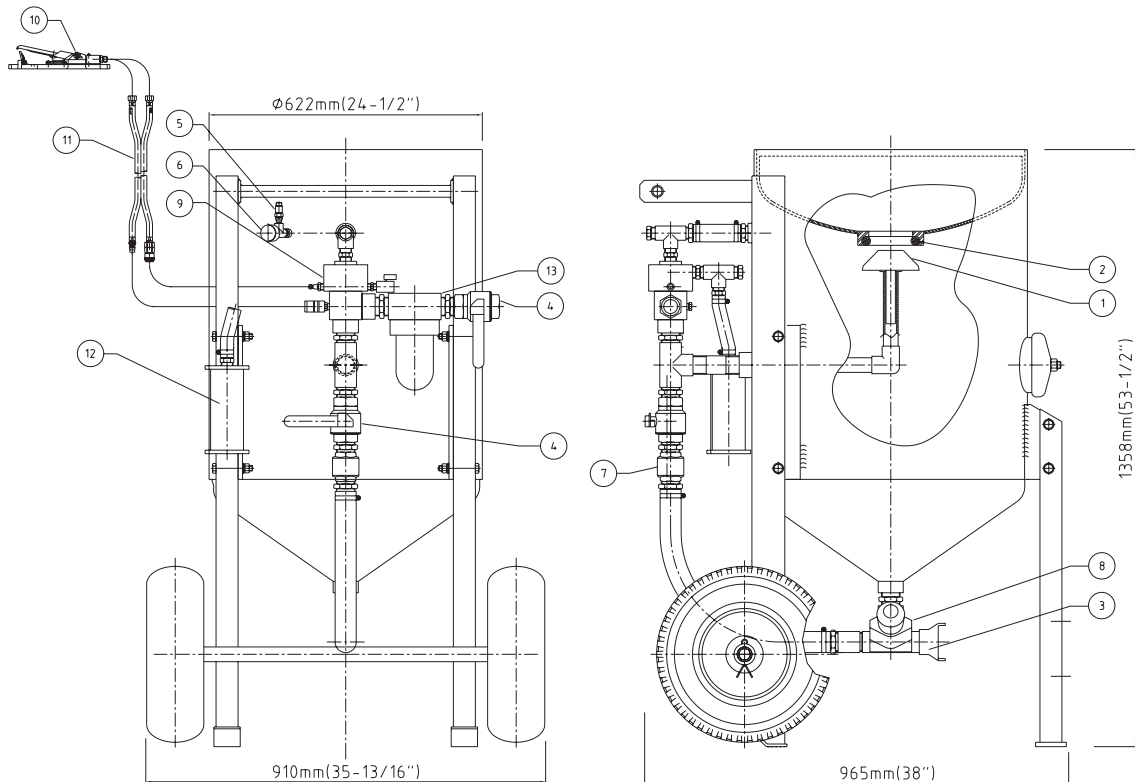
| Stock Code     | Description                 | Dry Weight          | Abrasive Capacity  | Piping Size   |
|----------------|-----------------------------|---------------------|--------------------|---------------|
| BEP-PS-PB-0007 | BP600-1 Automatic Blast Pot | 200.00 kg (441 lbs) | 200 Litres (6 ft³) | 32mm (1 1/4") |

## PanBlast™ BP600-1 Blast Pot Parts List -

| Item | Stock Code     | Description                              | Qty |
|------|----------------|--|-----|
| 1    | BAC-BF-PB-0012 | Pop Up Valve - Stem Type                 | 1   |
| 2    | BAC-BF-PB-0013 | Seating "O" Ring                         | 1   |
| 3    | BAC-HC-PB-0009 | NTC-1 Nylon Threaded Coupling            | 1   |
| 4    | BAC-PF-PB-0006 | Ball Valve 32mm (1 1/4")                 | 2   |
| 5    | BAC-PF-PB-0030 | Pressure Relief Valve 6mm (1/4")         | 1   |
| 6    | BAC-PF-PB-0031 | Pressure Gauge - 6mm (1/4") Rear Entry   | 1   |
| 7    | BAC-PF-PB-0007 | Non Return Valve 32mm (1 1/4")           | 1   |
| 8    | BAC-VA-PB-0060 | Fina Valve - 1 1/4" x 1 1/4" Pipe Nipple | 1   |
| 9    | BAC-RC-PB-0014 | UniFlo Valve c/w Fittings                | 1   |
| 10   | BAC-RC-PB-0085 | AirFlo Control Handle                    | 1   |
| 11   | BAC-RC-PB-0012 | Twinline Hose Assembly - 20m (66 ft)     | 1   |
| 12   | BAC-RC-PB-0022 | Muffler                                  | 1   |
| 13   | BAC-AF-PB-0058 | Moisture Separator 38mm (1 1/2")         | 1   |

## PanBlast™ BP600-1 Blast Pot Service Kits -

| Stock Code     | Description                          |
|----------------|--------------------------------------|
| BAC-BF-PB-0069 | BP300/BP600 Pusher Line Service Kit  |
| BAC-BF-PB-0070 | BP300/BP600 Exhaust Line Service Kit |



[www.pan-abrasives.com](http://www.pan-abrasives.com)  
Email - [pagroup@pan-abrasives.com](mailto:pagroup@pan-abrasives.com)

In the interests of on-going product development, all data and information is subject to change without prior notice.

## Pan Abrasives Group

Australia - Ph. 613 9303 3801 - Fax. 613 9308 7933  
China - Ph. 86 21 6630 8833 - Fax. 86 21 6630 6838  
Malaysia - Ph. 603 5637 3822 - Fax. 603 5637 2822  
Singapore - Ph. 65 6861 6988 - Fax. 65 6861 0919