

16

Blast Cabinet Parts

- Blast Guns
- Filter Cartridges



Delta SNH Auto Suction Blast Guns



Product Features

The PanBlast™ Delta Auto Suction Blast Gun is designed specifically for use on automated suction blasting machines.

- ▶ Ergonomic, lightweight design for more efficient mounting and manipulation.
- ▶ Case hardened steel air tip for longer service life.
- ▶ Optional hardened heavy duty air tip available.
- ▶ Available with either boron carbide or ceramic blast nozzles.
- ▶ Mounting lug for quick, simple attachment to bracket and/or manipulator.
- ▶ Screw in retainer for quick nozzle changes.
- ▶ Available in a wide range of air tip/blast nozzle combinations.
- ▶ Compatible with virtually any abrasive media type and size.

Common Applications

- ▶ Automated suction blasting operations.
- ▶ OEM blast gun replacement and/or upgrade.

Complementary Products



Filter Cartridge



Feed Tee & Metering Valve



Micromist Separator



CS48 Suction Gun



Foot Pedal



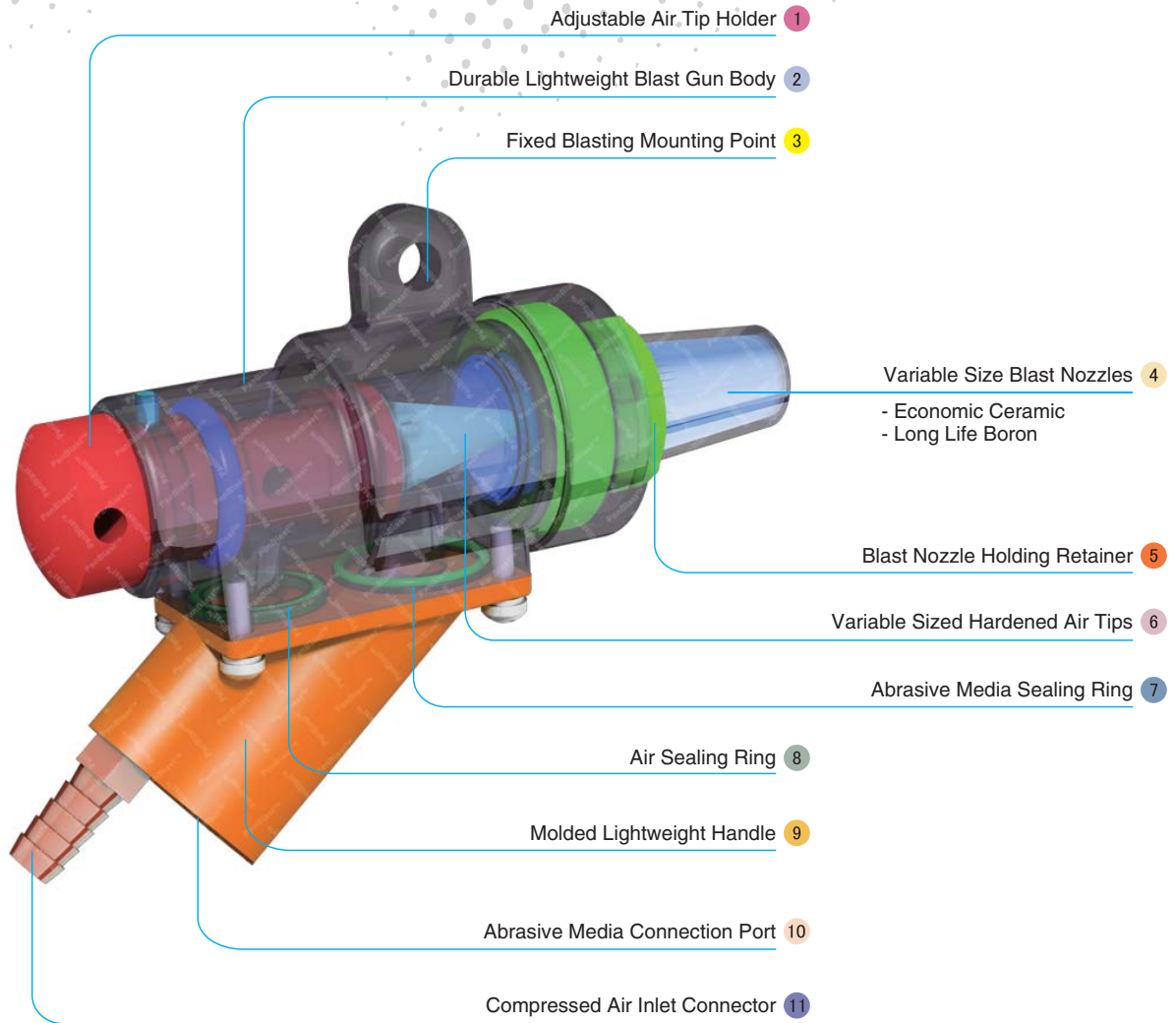
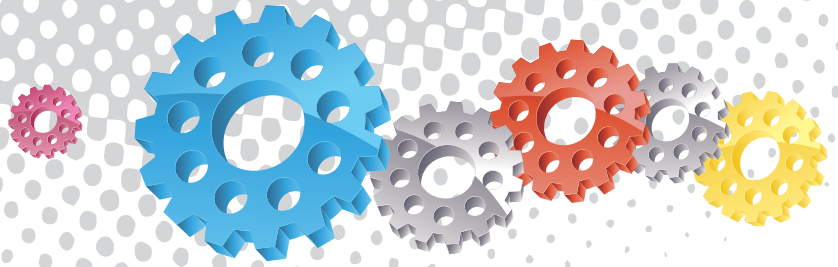
Delta GDF Auto Blast Gun



Delta GDF Manual Blast Gun



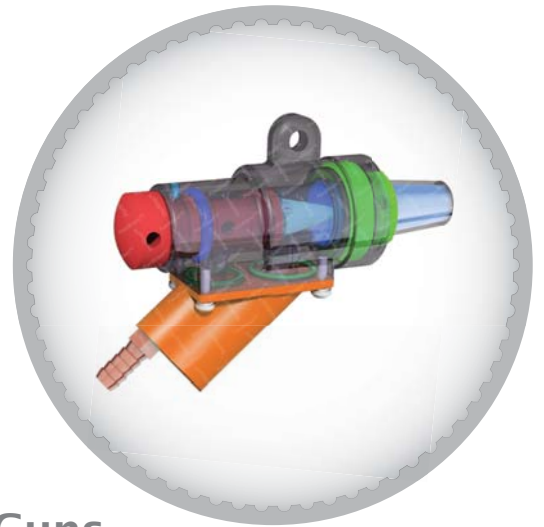
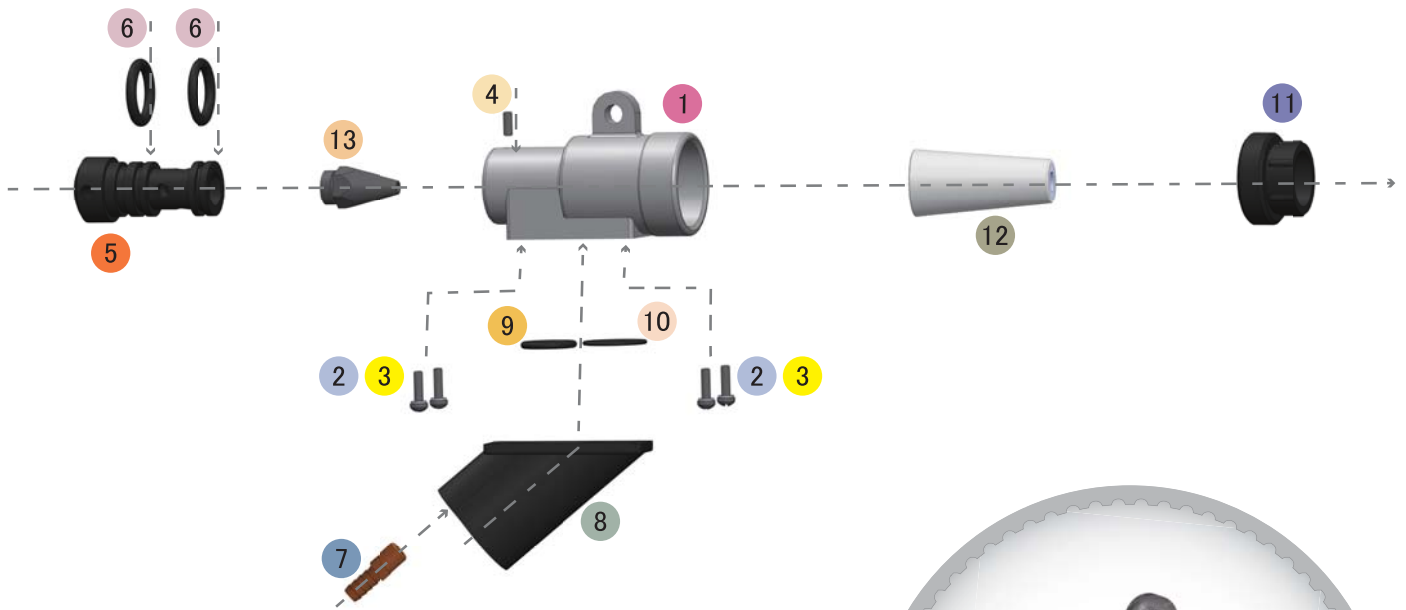
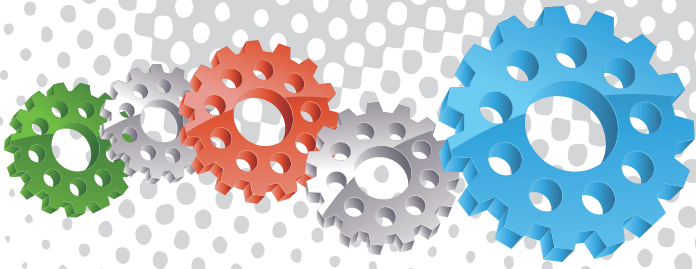
Delta SNH Manual Blast Gun



Component Highlights



- | | | |
|--------------------------------------|------------------------------------|-----------------------------------|
| 1 Adjustable Air Tip Holder | 5 Blast Nozzle Holding Retainer | 9 Molded Lightweight Handle |
| 2 Durable Lightweight Blast Gun Body | 6 Variable Sized Hardened Air Tips | 10 Abrasive Media Connection Port |
| 3 Fixed Blasting Mounting Point | 7 Abrasive Media Sealing Ring | 11 Compressed Air Inlet Connector |
| 4 Variable Size Blast Nozzles | 8 Air Sealing Ring | |



PanBlast™ Delta SNH Auto Suction Blast Guns

Stock Code	Description	Blast Nozzle		Air Tip		Compressed Air Required
		Stock Code	Size	Stock Code	Size	
BAC-BG-PB-0058	Delta-A Gun SNH 3/32x1/4 Assembly	BAC-NZ-PB-0321	6 mm (1/4")	BAC-BG-PB-0015	2.4 mm (3/32")	21 m ³ /hr (12 cfm)
BAC-BG-PB-0059	Delta-A Gun SNH 1/8x1/4 Assembly	BAC-NZ-PB-0321	6 mm (1/4")	BAC-BG-PB-0012	3.2 mm (1/8")	36 m ³ /hr (21 cfm)
BAC-BG-PB-0060	Delta-A Gun SNH 3/16x11/32 Assembly	BAC-NZ-PB-0325	9 mm (11/32")	BAC-BG-PB-0013	4.8 mm (3/16")	85 m ³ /hr (50 cfm)
BAC-BG-0108-00	Delta-A Suction Blast Gun/5 mm Boron Noz	BAC-NZ-PB-0267	5 mm (3/16")	BAC-BG-PB-0015	2.4 mm (3/32")	21 m ³ /hr (12 cfm)
BAC-BG-0109-00	Delta-A Suction Blast Gun/6 mm Boron Noz	BAC-NZ-PB-0264	6 mm (1/4")	BAC-BG-PB-0012	3.2 mm (1/8")	36 m ³ /hr (21 cfm)
BAC-BG-0112-00	Delta-A Suction Blast Gun/8 mm Boron Noz	BAC-NZ-PB-0268	8 mm (5/16")	BAC-BG-PB-0012	3.2 mm (1/8")	69 m ³ /hr (41 cfm)
BAC-BG-0110-00	Delta-A Suction Blast Gun/9 mm Boron Noz	BAC-NZ-PB-0265	9 mm (11/32")	BAC-BG-PB-0013	4.8 mm (3/16")	85 m ³ /hr (50 cfm)



Parts List

Item	Stock Code	Description	Qty
1	BAC-BG-PB-0025	Delta Gun Body	1
2	YAC-FN-PB-0121	Spring Washer	4
3	YAC-FN-PB-0234	Screw	4
4	YAC-FN-PB-0187	Screw	1
5	BAC-BG-PB-0019	GF Air Jet Holder	1
6	YAC-BS-PB-0008	O-ring	2
7	YAC-PF-PB-0206	Hose Barb	1
8	BAC-BG-PB-0023	Delta Auto Gun Handle	1
9	YAC-BS-PB-0009	O-ring	1
10	YAC-BS-PB-0010	O-ring	1
11	BAC-BG-PB-0043	Delta SNH Gun Nozzle Retainer	1



BAC-BG-0108-00



BAC-BG-PB-0058



BAC-BG-0109-00

Blast Nozzles

Item	Stock Code	Description	Qty
12	BAC-NZ-PB-0319	SNH CSN Ceramic Blast Nozzle - 5 mm	1
	BAC-NZ-PB-0321	SNH CSN Ceramic Blast Nozzle - 6 mm	1
	BAC-NZ-PB-0323	SNH CSN Ceramic Blast Nozzle - 8 mm	1
	BAC-NZ-PB-0325	SNH CSN Ceramic Blast Nozzle - 9 mm	1
	BAC-NZ-PB-0263	SNH BSN Boron Blast Nozzle - 3 mm	1
	BAC-NZ-PB-0266	SNH BSN Boron Blast Nozzle - 4 mm	1
	BAC-NZ-PB-0267	SNH BSN Boron Blast Nozzle - 5 mm	1
	BAC-NZ-PB-0264	SNH BSN Boron Blast Nozzle - 6 mm	1
	BAC-NZ-PB-0269	SNH BSN Boron Blast Nozzle - 7 mm	1
	BAC-NZ-PB-0268	SNH BSN Boron Blast Nozzle - 8 mm	1
	BAC-NZ-PB-0265	SNH BSN Boron Blast Nozzle - 9 mm	1



BAC-BG-PB-0059



BAC-BG-0112-00



BAC-BG-PB-0060

Air Tips

Item	Stock Code	Description	Qty
13	BAC-BG-PB-0011	1.6 mm (1/16") Air Jet	1
	BAC-BG-PB-0015	2.4 mm (3/32") Air Jet	1
	BAC-BG-PB-0012	3.2 mm (1/8") Air Jet	1
	BAC-BG-PB-0013	4.8 mm (3/16") Air Jet	1
	BAC-BG-PB-0014	6 mm (1/4") Air Jet	1



BAC-BG-0110-00